



Anglian
Building products



**Varying Needs
Product
Handbook**

V3 9/5/2008

Extended Handles



Extended Door Handle

The dimensions of this product satisfy the requirements of BS8300 and Building Regulations Approved Document M.

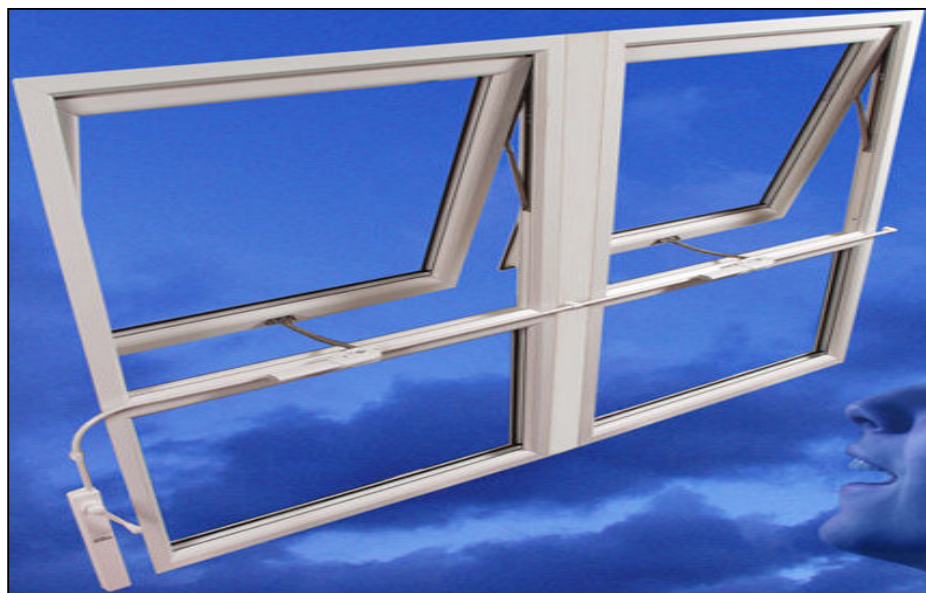


Extended Window Handle

Remote Opening Casements



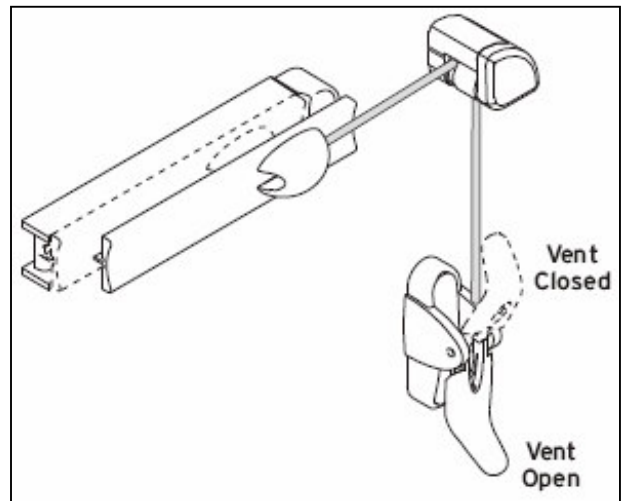
Window Pull
(used with non-push to release handle)



Remote Winding Gear

Remote Opening Ventilators

Titon S13/C13 through frame ventilator (cord control)



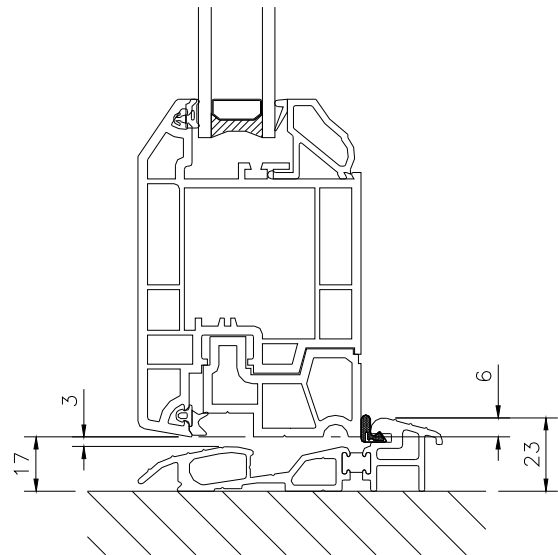
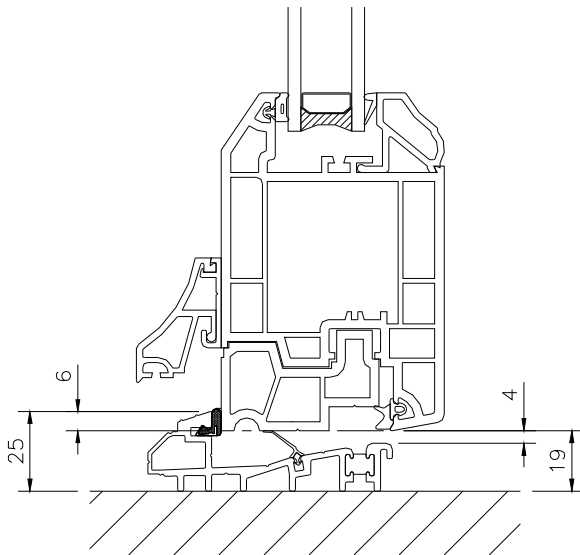
Titon Over Glass ventilator

Cord Control

Rod Control



Aluminium Mobility Thresholds



Open-In Mobility Sill		Default
Open-In Front Ramp		Optional
Open-In Rear Ramp		

Open-Out Mobility Sill		Default
Open-Out Rear Ramp		Optional